



AquaCroma® AC3F INSTALLATION GUIDE - EN

Scope of Instruction Manual

The purpose of this user manual is to explain the steps to qualified persons for the installation the product to assure peak performance.

This document can not be used as a substitute for any eligible code, law or regulation. For the warranty to be valid, instructions in the manual must strictly be obeyed.

Danger and Warning Terms

DANGER: Imminently hazardous situation which, if not avoided, will result in death or serious injury.

WARNING: Potentially hazardous situation that, if not avoided, could result in death or serious injury.

CAUTION: Potentially hazardous situation that, if not avoided, may result in minor injury.

REMARK: Potentially hazardous situation that, if not avoided, may result in property damage.

Carrying and transportation facts

The piling limits that are mentioned on the product box must be held during transportation of the products. Products must be protected from direct impact during transportation.

The contractor, installer, receiver or owner of the product is responsible for defects that can occur during transportation and carrying.



EU Conformity Assessment :

Manufacturer Name : PSL ELEKTRONİK SAN. ve TİC. A.Ş

Address: Organize Sanayi Bölgesi 3. Etap 34. Cad. No:9 Döşemealtı Antalya/Türkiye

Telephone: +90-(242)-2288150(Pbx)

The manufacturer assesses that the product AC3F comply with the standarts concerning CE low Voltage Directive (LVD) 2006/95/EC.

Content of the box

- 1 pcs AC3F
- 1 pcs Mounting Shell
- 2 pcs Mounting Screws
- 1 pcs IP 68 Mini Connector

Application Areas

It is nozzle pool lamp which is designed for pools and geysers with long lifetime. With wide range of colors, and property of changing colors, it can catch 16 million intermediate colors. It has a high return on investment due to its long lifetime and high saving potential.

Technical Properties

Electromechanic Properties

- Chrome spot mirror
- Aluminum injection body
- Polycarbon luminaire cover.
- It works with either DC or AC.

Voltage Options

RGB: 12V DC

Single color(SD): 12 - 24V AC / DC

Maximum Power Consumption

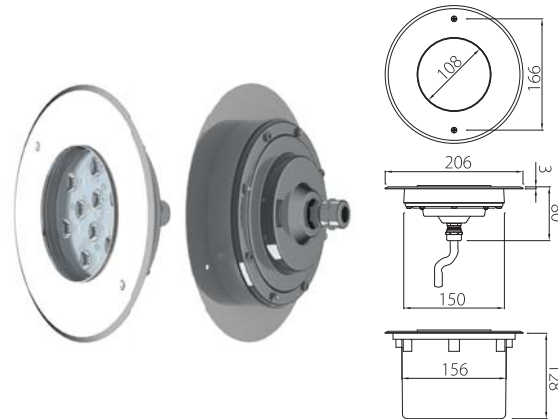
Product power consumption of 17 W-25W and these values vary depending on the choosen model.

IP Class: IP68

Lifetime

50.000 hours approximately

Body Properties



Controller Options

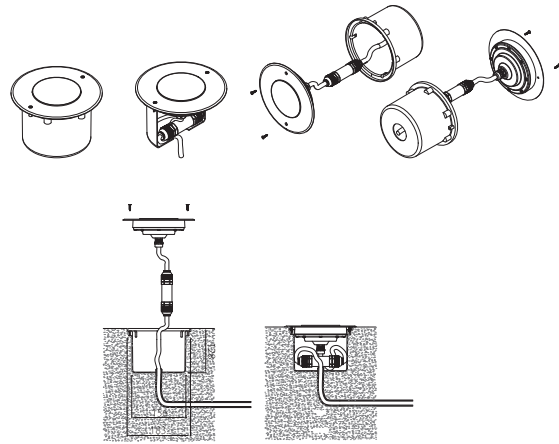
All luminaires are produced as to control with PWM as standard. In this luminaire DMX option can be internal or external.

Mounting Method

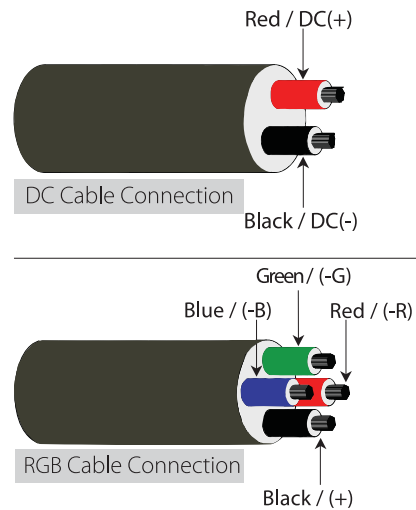
- **REMARK:** When taking delivery of your product, be sure to check if there is physical damage. For the change of defected products, contact your dealer within 7 days from the date of purchase.
- **REMARK:** When taking delivery of your product you should be sure if your product is complete with accessories.
- **REMARK:** Please store your product's original box or package, accessories, bill, etc... for possible usage by the service.
- **REMARK:** Make sure not to damage the model number, product's barcode and serial number. If they are unreadable or worn out, your product's warranty will be void.
- **WARNING:** The products must be used within their intended use.
- **REMARK:** Manufacturer is not responsible for the injury or damage caused by the improper use of the product.
- **WARNING:** Electrical connections must only be carried out by qualified personnel.
- **WARNING:** Disconnect all electrical power from the electrical cables before you begin the installation. To do this, remove the fuses or set the circuit breakers to closed position.
- **WARNING:** Do not use if the power cables are damaged. Doing so can result in death, serious injury, or property damage.
- **REMARK:** Before installation be sure of the water proofness of the cables, armature and the cables are not damaged. There should be no notch or things that can harm the armature in the place where the armature will be fixed.
- **REMARK:** Make sure that the product not to receive higher voltage than operating voltage. For the malfunctions in case of over voltage the company will not be responsible and warranty will be void.
- **REMARK:** Additional apparatus which is determined by our company must be used for mounting.
For example: screws, clamps, terminals ...
- **WARNING:** Do not use the product in places with electric leakage possibility.
- **WARNING:** The product should not be used while its top is covered.
- **WARNING:** This product should only be installed on non-combustible material.
- **WARNING:** Cable ports must be insulated with connection terminals or melting tape.
- **REMARK:** The product is designed to operate only in a WATER filled pool. Definitely, the product must not be used in a dry environment. If so the product is overheated, deformation may occur on the body. This can cause malfunction and water intake.
- **REMARK:** Do not modify, repair or make any physical intervention on the product. Doing so will result in property damage and will void the warranty.

Mounting

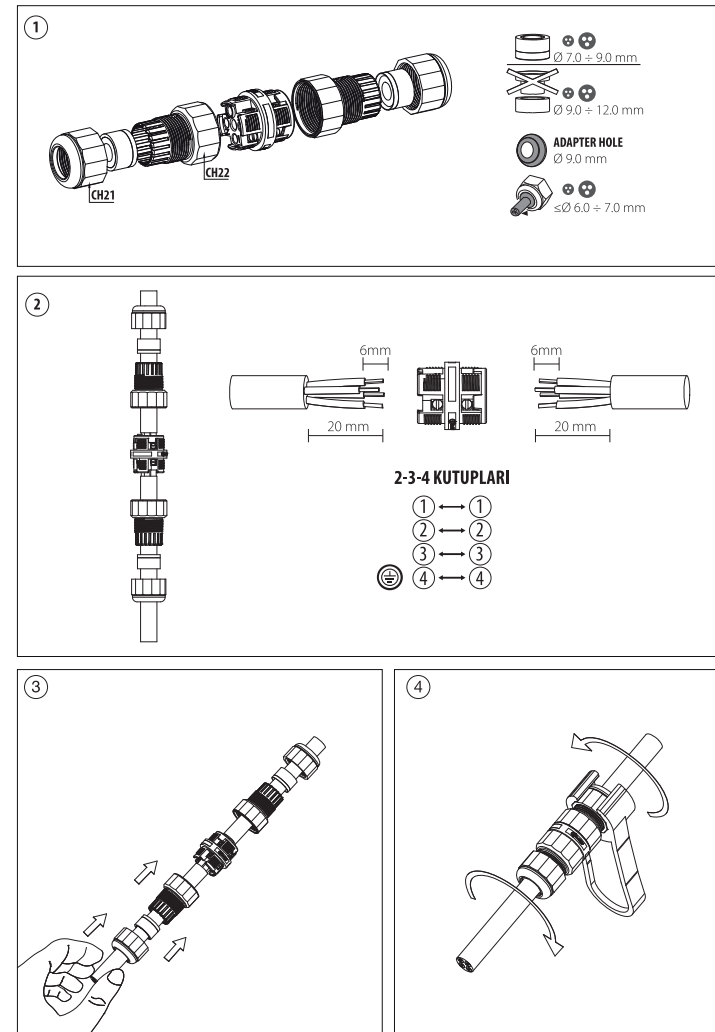
Luminaire is mounted in AC3F box.



Cable Connection



Underwater Addition Muffs



If the splice is to be made under water, underwater addition muffs should be used.

Important Remarks

DANGER: In the event of any failure of the product; if you are not an expert on repair, please contact our expert authorized service.

REMARK: Intervention by unauthorized persons rather than Authorized Technical Service will void the warranty.

REMARK: During installation or the first run of the product, the company is not responsible for any electrical equipments which does not belong to the product or the undesired situations related with these equipments.

Maintenance

The product must have maintenance by the authorized service personnel every 2 years periodically.

HEADQUARTER & FACTORY

Organize Sanayi Bölgesi 3. Etap 34. Cadde No: 9 Döşemealtı / ANTALYA
T: +90 (242) 228 81 50 (Pbx) F: +90 (242) 228 16 18

ANTALYA DISTRICT OFFICE

Termessos Bulvarı 30-B/A Muratpaşa / ANTALYA
T: +90 (242) 321 15 15 (Pbx) F: +90 (242) 321 95 96

İSTANBUL DISTRICT OFFICE

Perpa Ticaret Merkezi A Blok K:8 No: 827-829 Okmeydanı - Şişli / İSTANBUL
T: +90 (212) 220 05 06 (Pbx) F: +90 (212) 320 28 87

ANKARA DISTRICT OFFICE

Uçarlı Sokak 3/3-4 Aşağı Ayrancı - ANKARA
T: +90 (312) 466 87 01 F: +90 (312) 466 87 02

İZMİR REGIONAL SALES OFFICE

Keremoğlu İş Merkezi 1348 Sokak No: 2/A-K Yenisehir / İZMİR
T: +90 (232) 457 44 44 F: +90 (232) 457 44 40

RUSSIA DISTRICT OFFICE

P0, 121354, r. Moskva, Ul. Dorogobuzjskaya, d. 14, s. 1, Ofis 205
T: +7 495 642 32 29 F: +7 495 642 32 29